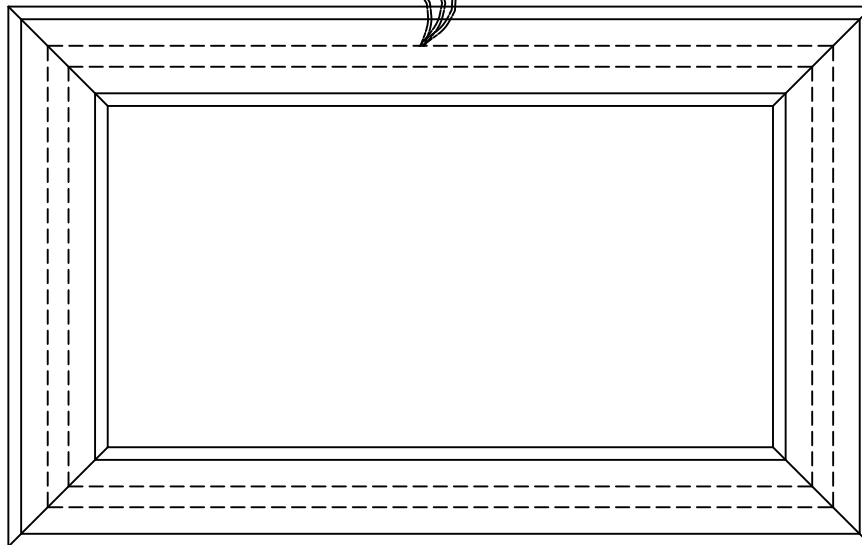
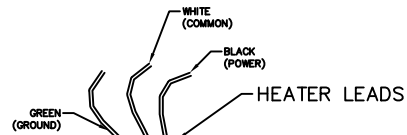
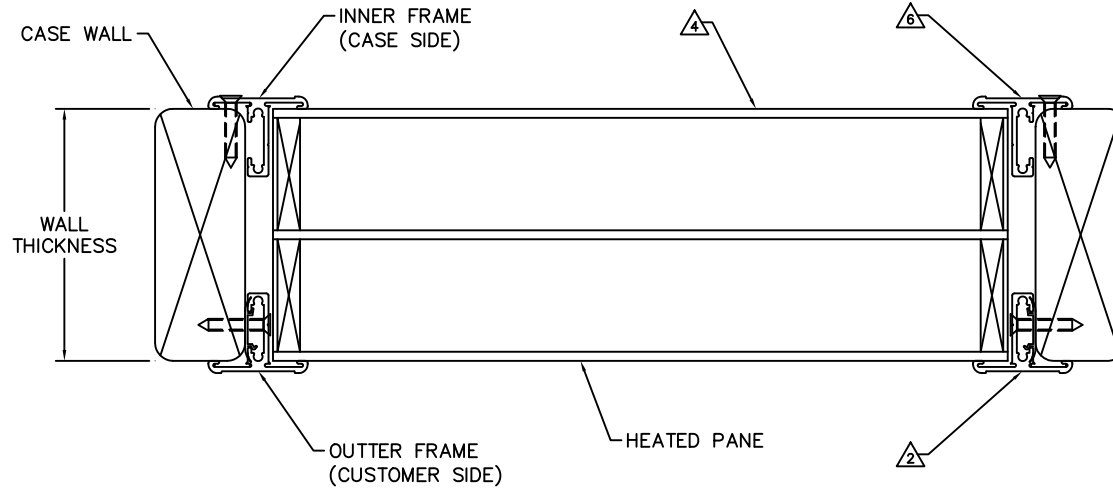


VIEW WINDOW INSTALLATION INSTRUCTIONS



VIEW WINDOW:

1. CHECK ROUGH OPENING FOR PLUMB AND SQUARE BEFORE INSTALLATION.
2. INSTALL OUTER FRAME AND SECURE WITH SCREW FROM INSIDE FRAME FLANGE. HEADS OF SCREWS MUST BE COMPLETELY SEATED AND NOT STICKING OUT. IF FRAME IS HEATED, INSERT FRAME WIRES INTO JUCTION BOX.
3. CAULK AROUND FRAME PERIMETER TO ASSURE AN AIRTIGHT SEAL.
4. INSTALL SEALED GLASS UNIT FROM INSIDE (CASE SIDE) INTO FRAME. WINDOWS LARGER THAN 9sq/ft USE HEAVY DUTY SUCTION CUPS FOR HANDLING & INSTALLING VIEW WINDOW. LACK OF SUCTION CUP USAGE WILL VOID WARRANTY. IF GLASS UNIT IS HEATED, INSERT GLASS WIRES INTO JUCTION BOX.
5. CAULK AROUND SEALED GLASS UNIT PERIMETER TO ASSURE AN AIRTIGHT SEAL.
6. INSTALL INNER FRAME AND SECURE WITH SCREW ON FRAME FLANGE.

